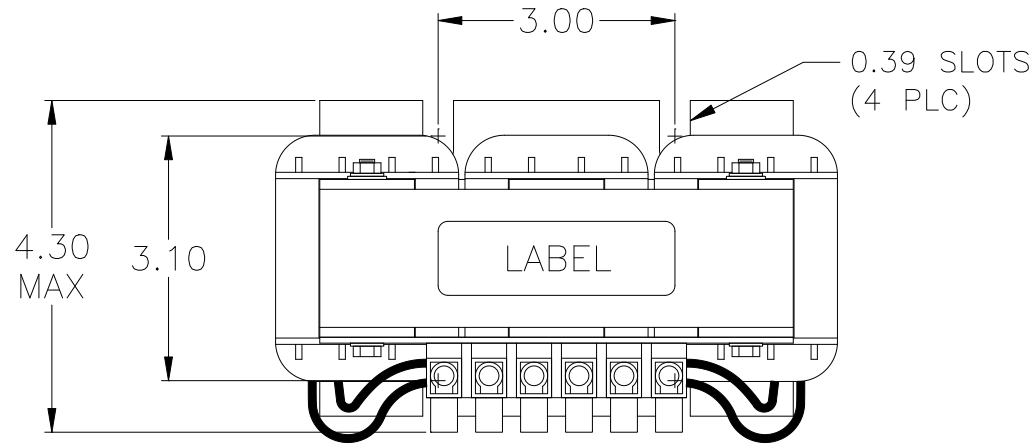


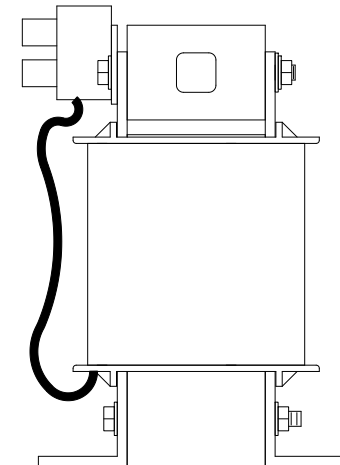
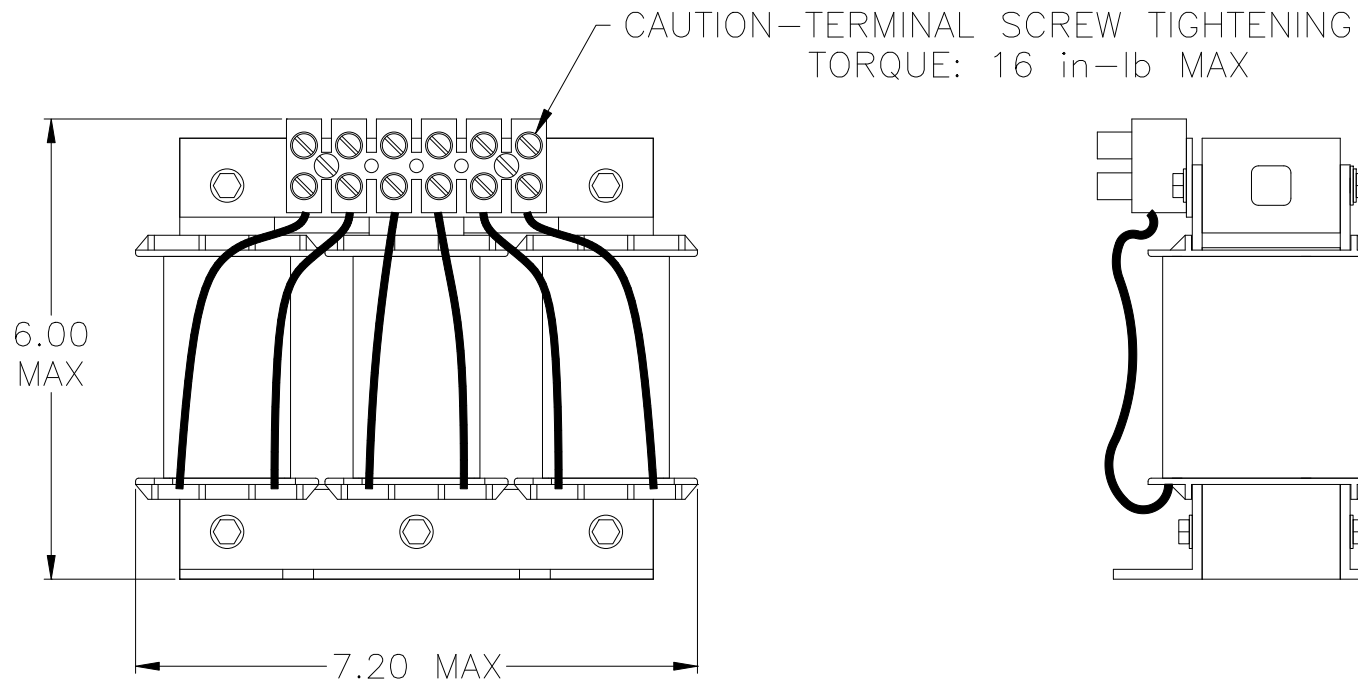
FILE: J:\CUSTDWG\CATRL\CD-02503

INDUCTANCE	LOSSES	WEIGHT
1.8 mH	61 Watts	20 Lbs

NO.	CHANGE DESCRIPTION	BY	DATE	C'K'D
-----	--------------------	----	------	-------



WIRE RANGE: 22-5 AWG



UNLESS OTHERWISE SPECIFIED, DIMENSIONS ARE IN INCHES [mm] AND TOLERANCES ARE:

DECI. FRAC.
 ANGLES DRILLED HOLES

PART NAME:	3-PHASE REACTOR
DESCRIPTION:	ASSEMBLY
FINISH:	

MTE CORPORATION MENOMONEE FALLS, WISCONSIN			
RL-02503			REV. 12
SCALE	NTS	DATE	01/06/90
REF.	DR. BY	SJW	C'K'D APP'D